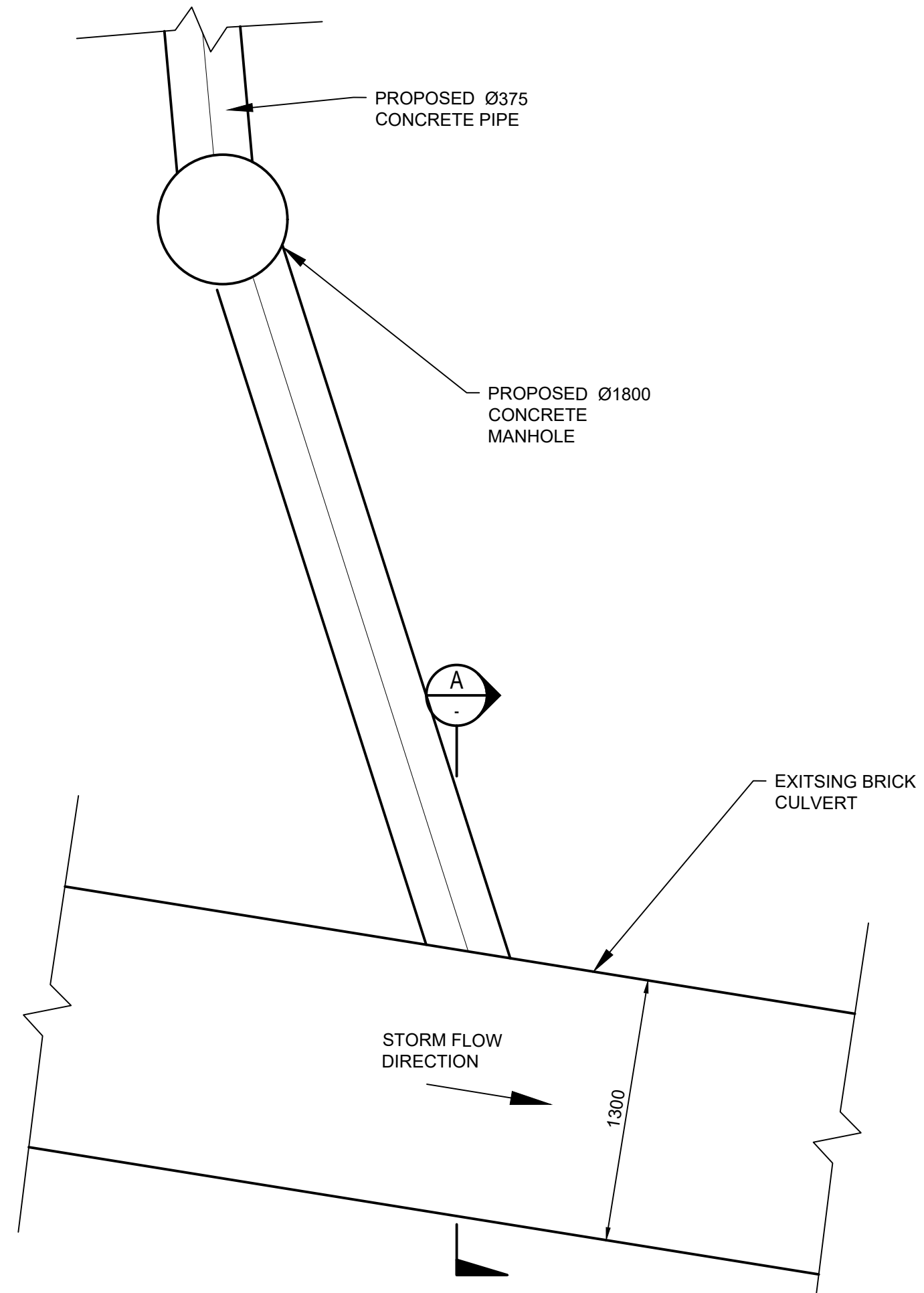


A1

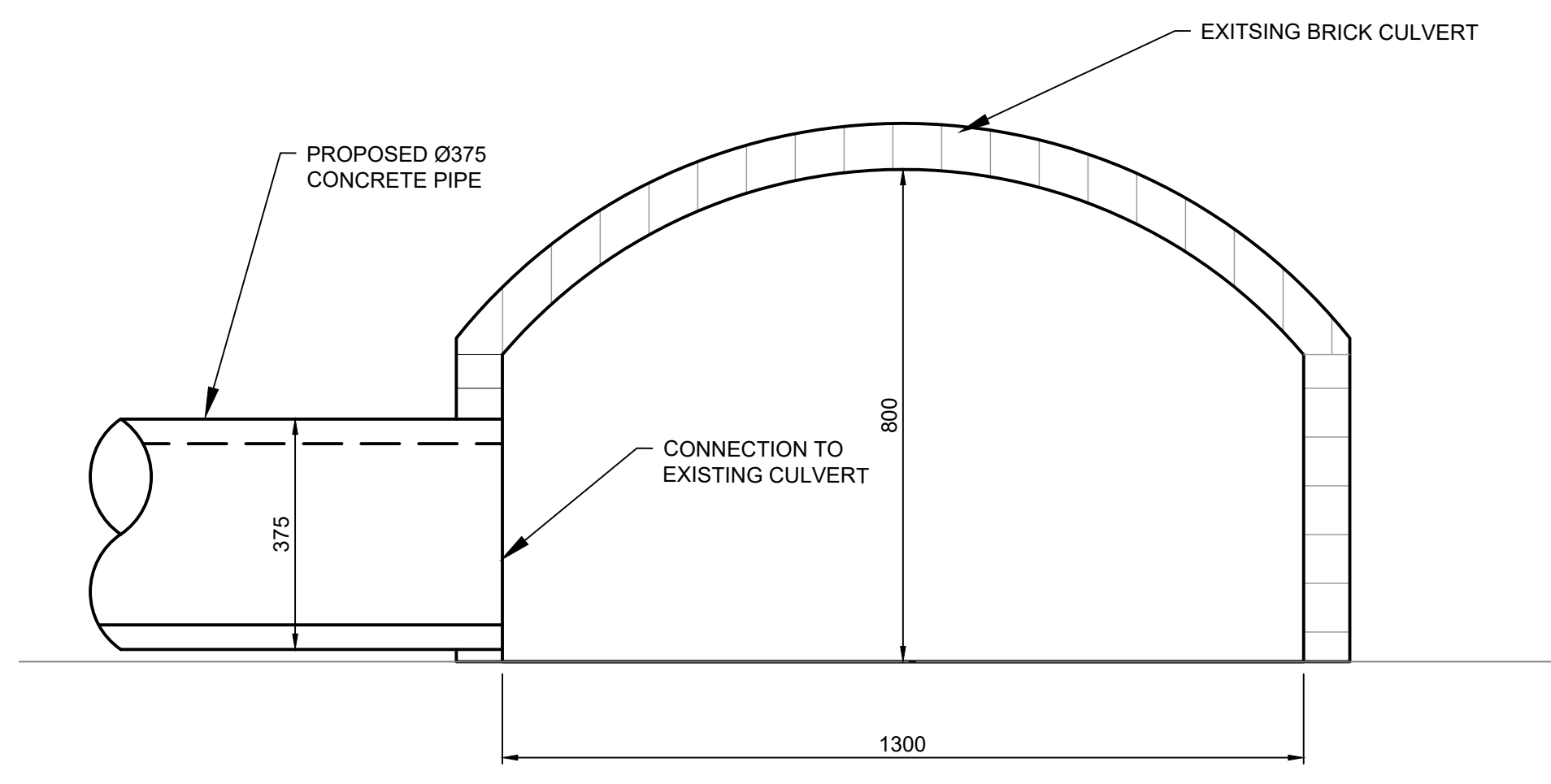
DO NOT SCALE

File: 5154251_EWE_SCD_0003.dwg
Date: Oct 31, 2019 - 12:21 pm
Plotted by: patrick.sheridan

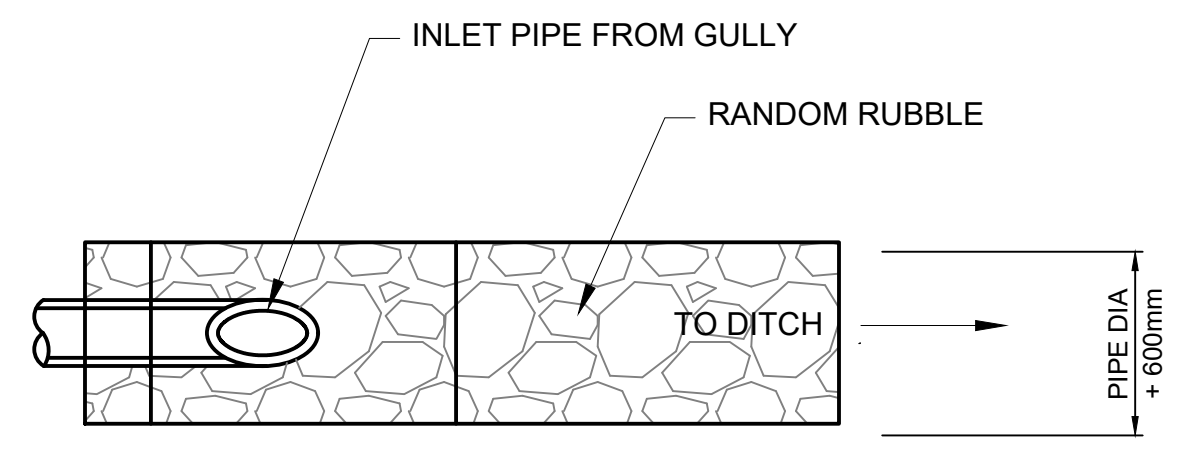
© ORDNANCE SURVEY IRELAND LICENSE No. AR 0082518
ORDNANCE SURVEY IRELAND & GOVERNMENT OF IRELAND



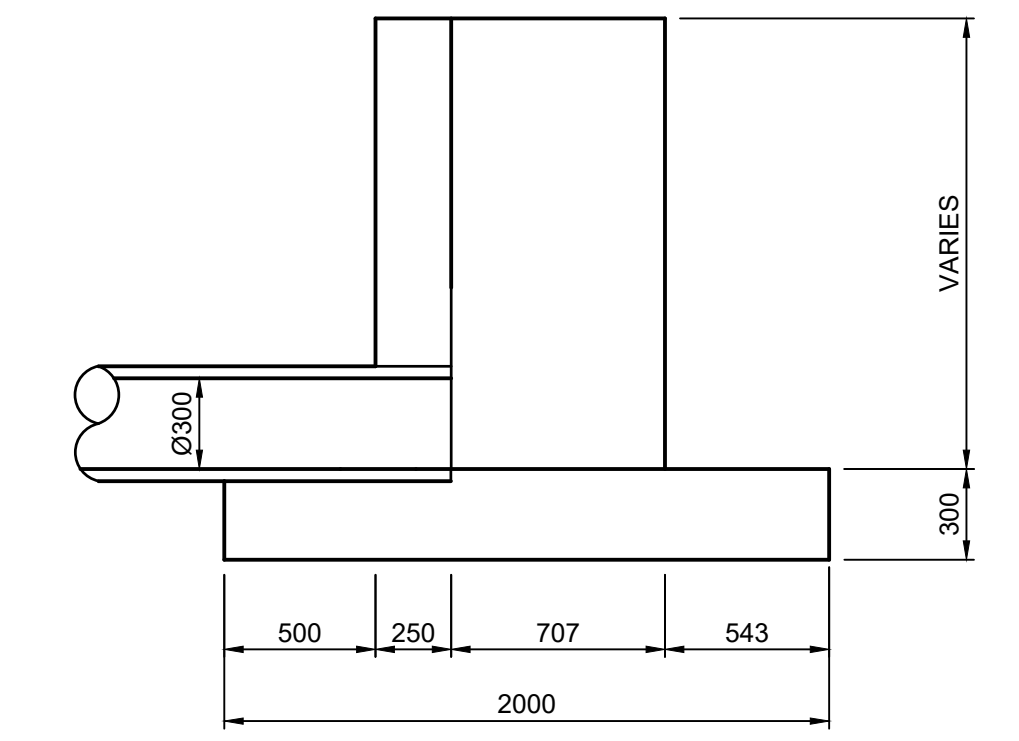
**OUTFALL DETAIL TO CRINKEN/
RATHMICHAEL STREAM**
Scale at A1 1:25



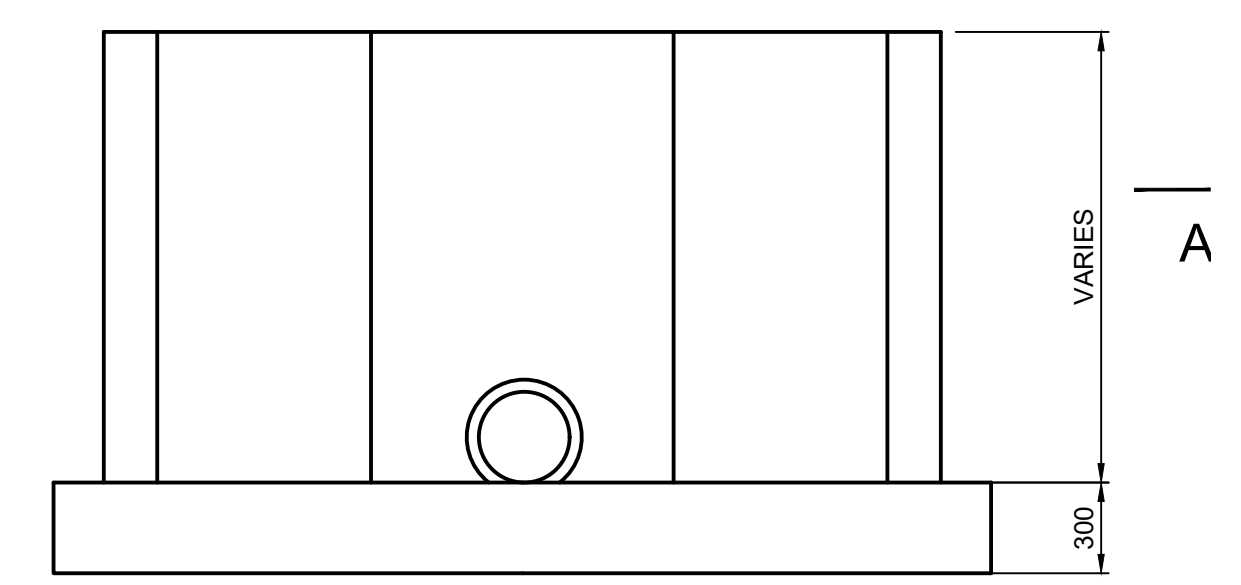
SECTION A
1:10



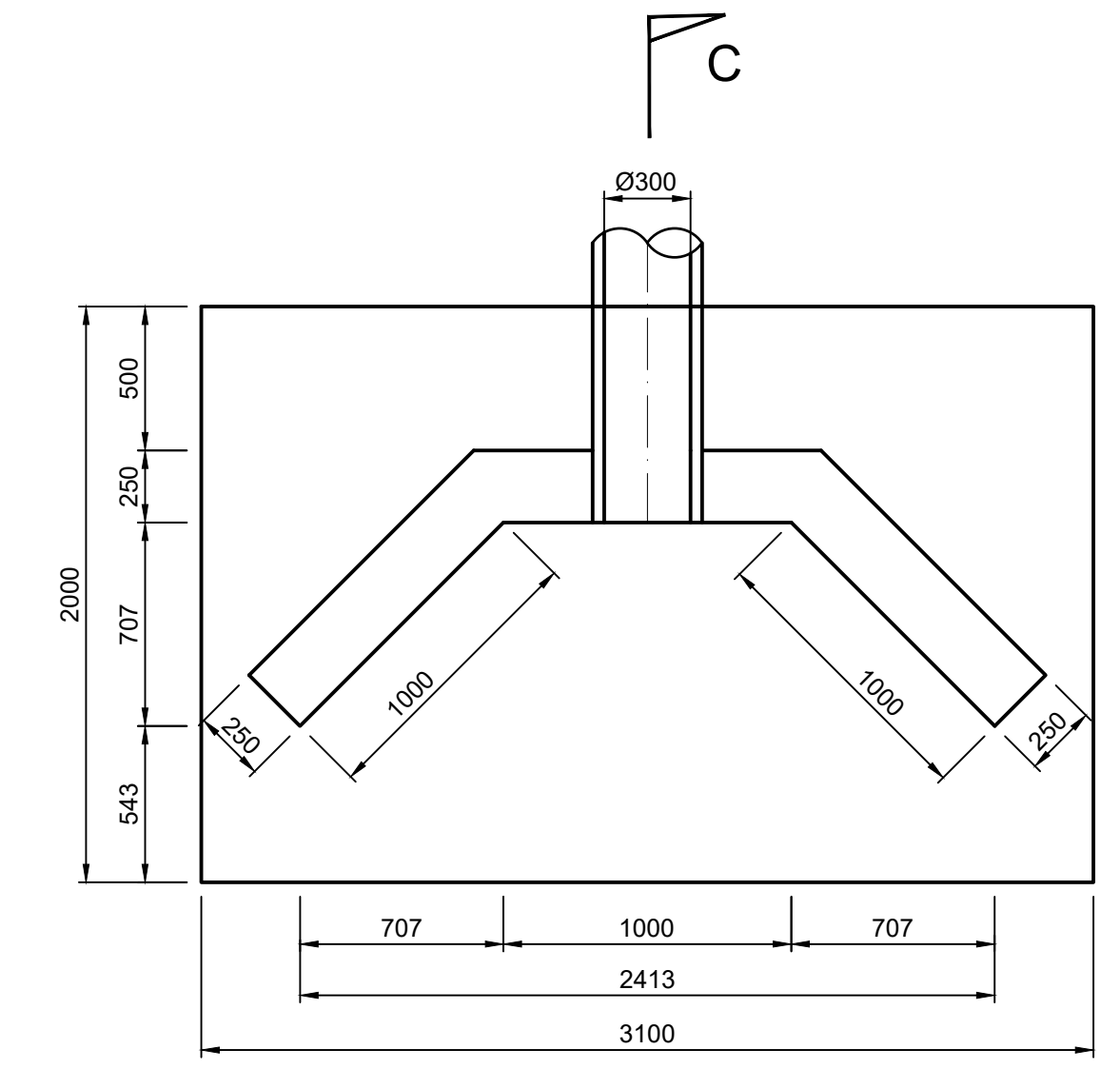
PLAN OF OUTFALL FROM GULLY TO EXISTING DITCH
Scale at A1 1:25
Scale at A3 1:50



SECTION C



**INLET / OUTLET HEADWALL DETAIL
FRONT ELEVATION**



SECTION A

NOTE: ALL OUTLET HEADWALLS TO BE FITTED WITH SELF CLEARING INLET GRID DETAIL IN ACCORDANCE WITH TII/RCD/500/51

TYPICAL HEADWALL DETAILS
Scale at A1 1:25
Scale at A3 1:50

Rev	Description	By	Date	Chk'd	Auth
A	FOR PLANNING	PS	18.10.19	AC	GH
A	FINAL CLIENT APPROVAL	PS	09.10.19	AC	GH
-	FOR REVIEW	TD	09.05.23	AC	GH

ATKINS
Member of the SNC-Lavalin Group

Atkins House, 150-155 Airside
Business Park, Swords, Co. Dublin
Tel (+353) 01 810 8000
Fax (+353) 01 810 8001

Unit 2B, 2200 Cork Airport
Business Park, Cork
Tel (+353) 021 429 0300
Fax (+353) 021 429 0360

2nd Floor Technology House
Parkmore Technology Park, Galway
Tel (+353) 091 786 050
Fax (+353) 091 779 830

Client	AEVAL		
Project	WOODBROOK PHASE 1		

Purpose PLANNING			
Title STANDARD CONSTRUCTION DETAILS SHEET 3			
Original Scale AS SHOWN	Design/Drawn PS Date 09.05.23	Checked GH Date 09.05.23	Authorised JN Date 09.05.23
Status P	Drawing Number 5154251_EWE_SCD_0003	Rev A	